



# MASTER LEDspot ExpertColor AR111



## MAS LEDExpertColor 20-100W 930 AR111 45D

The MASTER LEDspot LV ExpertColor creates a warm and comfortable ambience for hospitality venues, homes and restaurants. It creates ambience with superior lighting that has a customised spectrum, high CRI and deep dimming features. The result? A beautiful lighting experience. What's more, the innovative, trimless lens design will also suit almost any interior decor with its clean and neat look. In addition, you can take advantage of the full ExpertColor family, which also includes LEDspot LV and LEDspot Par lamps.

### Product data

General Information	
Cap base	G53
Nominal lifetime	40,000 h
Switching Cycle	50,000
Lighting Technology	LED
Flux measurement reference	Narrow Cone
EU RoHS compliant	Yes

Light Technical	
Colour Code	930 [CCT of 3000K]
Beam angle (nom.)	45 degree(s)
Luminous Flux	1,270 lm
Luminous intensity (nom.)	2,200 cd
Colour designation	White (WH)
Correlated Colour Temperature	3000 K
Luminous efficacy (rated) (nom.)	63 lm/W
Colour consistency	<4
Colour rendering index (CRI)	95

LLMF at end of nominal lifetime (nom.)	70 %
Luminous flux in 90° cone (rated)	1,270 lm
Flickering value (PstLM)	1
Stroboscopic effect	1.5
Photobiological safety according to EN 62471	RG1

### Operating and Electrical

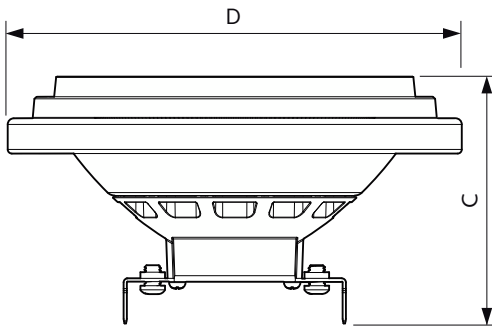
Line Frequency	50 to 60 Hz
Input frequency	50 to 60 Hz
Power Consumption	20 W
Lamp current (nom.)	2,000 mA
Wattage equivalent	100 W
Starting time (nom.)	0.5 s
Warm-up time to 60% light	0.5 s
Power Factor (Fraction)	0.7
Voltage (nom.)	12 V

# MASTER LEDspot ExpertColor AR111

Temperature	
Ambient temperature range	-20°C to 45°C
T-Case maximum (nom.)	77 °C
Controls and Dimming	
Dimmable	Only with specific dimmers
Mechanical and Housing	
Lamp Finish	Clear
Bulb shape	AR111
Approval and Application	
Energy Efficiency Class	G
Suitable for accent lighting	Yes
Energy consumption kWh/1,000 hours	20 kWh
EPREL registration number	1122532
EyeComfort	Yes

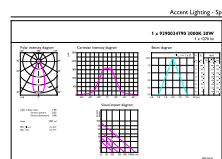
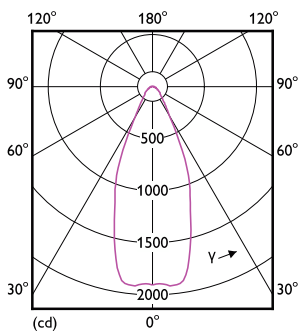
Application Conditions	
Can it be used in closed luminaires	No
Product Data	
Order product name	MAS LEDExpertColor 20-100W 930 AR111 45D
Full product name	MAS LEDExpertColor 20-100W 930 AR111 45D
Full EOC	871951442971000
Order code	42971000
Material no. (12 NC)	929003479002
SAP numerator – quantity per pack	1
EAN/UPC – Product/Case	8719514429710
Numerator – packs per outer box	6
EAN/UPC - Case	8719514429727

## Dimensional drawing



Product	D	C
MAS LEDExpertColor 20-100W 930 AR111 45D	111 mm	62 mm

## Photometric data

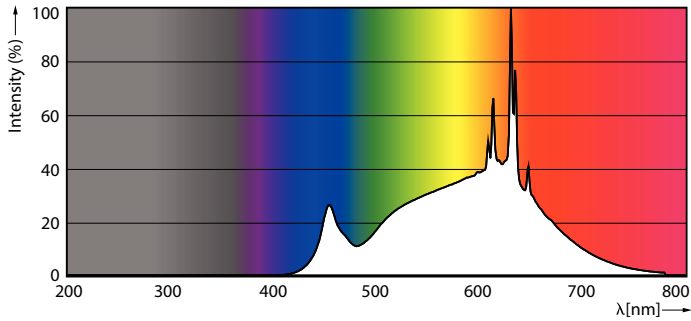


Light Distribution Diagram - MAS LEDExpertColor 20-100W 930 AR111 45D

Accent Lighting Spots - MAS LEDExpertColor 20-100W 930 AR111 45D

# MASTER LEDspot ExpertColor AR111

## Photometric data



Spectral Power Distribution Colour - MAS LEExpertColor 20-100W 930 AR111 45D

## Lifetime



Life Expectancy Diagram - MAS LEExpertColor 20-100W 930 AR111 45D



Lumen Maintenance Diagram - MAS LEExpertColor 20-100W 930 AR111 45D

