



MASTER VALUE LEDs pot LV



MASTER LED spot VLE D 5.8-35W MR16 927 60D

Philips MASTER VALUE MR16 is the series of Low Voltage (12 VAC) Halogen MR16 replacements. Not only does it employ Philips' patented solution to guarantee the broadest possible compatibility with standard 12 V Halogen electronic transformers, it also delivers beam intensity which is equivalent to the 50 W Philips Halogen MR16 lamps. The form-factor of Philips MASTER Value LED MR16 guarantees a 100% form on the back-side of the lamp (exact fit with Halogen lamps.)

Warnings and Safety

- Operating temperature range is between -20° C and 45° C ambient
- Only to apply in dry or damp locations and most of open fixtures with lamp-holders that offer sufficient space (10 mm free air space)
- Not intended for use with emergency light fixtures or exit lights

Product data

General Information		Luminous intensity (nom.)	
Cap base	GU5.3 [GU5.3]		600 cd
Nominal lifetime	25,000 h	Colour designation	Warm White (WW)
Switching Cycle	50,000	Correlated Colour Temperature	2700 K
Lighting Technology	LED	Luminous efficacy (rated) (nom.)	77.00 lm/W
Flux measurement reference	Narrow Cone	Colour consistency	<6
CE mark	Yes	Colour rendering index (CRI)	90
EU RoHS compliant	Yes	LLMF at end of nominal lifetime (nom.)	70 %
		Luminous flux in 90° cone (rated)	450 lm
		Photobiological safety according to EN 62471	RG1
Light Technical		Operating and Electrical	
Colour Code	927 [CCT of 2700K]	Line Frequency	- Hz
Beam angle (nom.)	60 degree(s)	Input frequency	- Hz
Luminous Flux	450 lm		

MASTER VALUE LEDspot LV

Power Consumption	5.8 W
Lamp current (nom.)	510 mA
Wattage equivalent	35 W
Starting time (nom.)	0.5 s
Warm-up time to 60% light	0.5 s
Power Factor (Fraction)	0.7
Voltage (nom.)	ac electronic 12 V

Temperature

T-Case maximum (nom.)	85 °C
-----------------------	-------

Controls and Dimming

Dimmable	Only with specific dimmers
----------	----------------------------

Mechanical and Housing

Bulb shape	MR16 [2 inch/50 mm]
------------	---------------------

Approval and Application

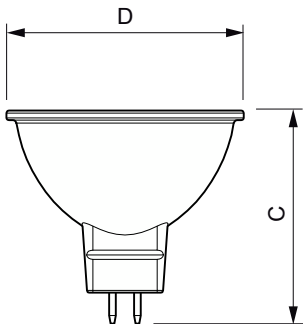
Energy Efficiency Class	G
-------------------------	---

Suitable for accent lighting	Yes
Energy consumption kWh/1,000 hours	6 kWh
EPREL registration number	453176
EyeComfort	Yes

Product Data

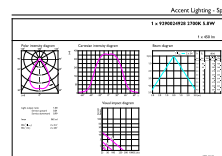
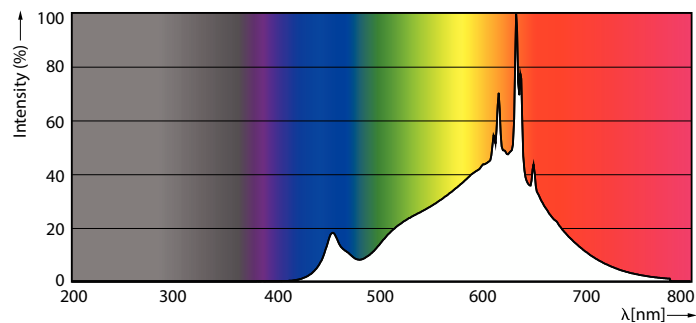
Order product name	MAS LED spot VLE D 5.8-35W MR16 927 60D
Full product name	MASTER LED spot VLE D 5.8-35W MR16 927 60D
Full EOC	871951430724700
Order code	30724700
Material no. (12 NC)	929002492802
SAP numerator – quantity per pack	1
EAN/UPC – Product/Case	8719514307247
Numerator – packs per outer box	10
EAN/UPC - Case	8719514307254

Dimensional drawing



Product	D	C
MAS LED spot VLE D 5.8-35W MR16 927 60D	50.5 mm	45.5 mm

Photometric data

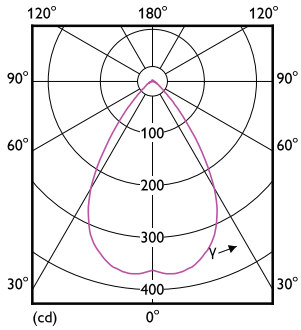


Spectral Power Distribution Colour - MAS LED spot VLE D 5.8-35W MR16 927 60D

Accent Lighting Spots - MAS LED spot VLE D 5.8-35W MR16 927 60D

MASTER VALUE LEDspot LV

Photometric data



Light Distribution Diagram - MAS LED spot VLE D 5.8-35W MR16 927 60D

Lifetime



Life Expectancy Diagram - MAS LED spot VLE D 5.8-35W MR16 927 60D



Lumen Maintenance Diagram - MAS LED spot VLE D 5.8-35W MR16 927 60D

