



MASTER VALUE LEDs pot LV



MASTER LED spot VLE D 5.8-35W MR16 930 36D

Philips MASTER VALUE MR16 is the series of Low Voltage (12 VAC) Halogen MR16 replacements. Not only does it employ Philips' patented solution to guarantee the broadest possible compatibility with standard 12 V Halogen electronic transformers, it also delivers beam intensity which is equivalent to the 50 W Philips Halogen MR16 lamps. The form-factor of Philips MASTER Value LED MR16 guarantees a 100% form on the back-side of the lamp (exact fit with Halogen lamps.)

Warnings and Safety

- Operating temperature range is between -20° C and 45° C ambient
- Only to apply in dry or damp locations and most of open fixtures with lamp-holders that offer sufficient space (10 mm free air space)
- Not intended for use with emergency light fixtures or exit lights

Product data

| General Information | |
|----------------------------|-------------|
| Cap base | GU5.3 |
| Nominal lifetime | 25,000 h |
| Switching Cycle | 50,000 |
| Lighting Technology | LED |
| Flux measurement reference | Narrow Cone |
| CE mark | Yes |
| EU RoHS compliant | Yes |

Light Technical

| | |
|-------------------|--------------------|
| Colour Code | 930 [CCT of 3000K] |
| Beam angle (nom.) | 36 degree(s) |
| Luminous Flux | 460 lm |

| | |
|--|------------|
| Luminous intensity (nom.) | 1,300 cd |
| Colour designation | White (WH) |
| Correlated Colour Temperature | 3000 K |
| Luminous efficacy (rated) (nom.) | 79 lm/W |
| Colour consistency | <6 |
| Colour rendering index (CRI) | 90 |
| LLMF at end of nominal lifetime (nom.) | 70 % |
| Luminous flux in 90° cone (rated) | 460 lm |
| Photobiological safety according to EN 62471 | RG1 |

Operating and Electrical

| | |
|-----------------|------|
| Line Frequency | - Hz |
| Input frequency | - Hz |

MASTER VALUE LEDspot LV

| | |
|---------------------------|--------------------|
| Power Consumption | 5.8 W |
| Lamp current (nom.) | 510 mA |
| Wattage equivalent | 35 W |
| Starting time (nom.) | 0.5 s |
| Warm-up time to 60% light | 0.5 s |
| Power Factor (Fraction) | 0.7 |
| Voltage (nom.) | ac electronic 12 V |

Temperature

| | |
|-----------------------|-------|
| T-Case maximum (nom.) | 85 °C |
|-----------------------|-------|

Controls and Dimming

| | |
|----------|----------------------------|
| Dimmable | Only with specific dimmers |
|----------|----------------------------|

Mechanical and Housing

| | |
|------------|------|
| Bulb shape | MR16 |
|------------|------|

Approval and Application

| | |
|------------------------------------|-------|
| Energy Efficiency Class | F |
| Suitable for accent lighting | Yes |
| Energy consumption kWh/1,000 hours | 6 kWh |

| | |
|---------------------------|--------|
| EPREL registration number | 453174 |
| EyeComfort | Yes |

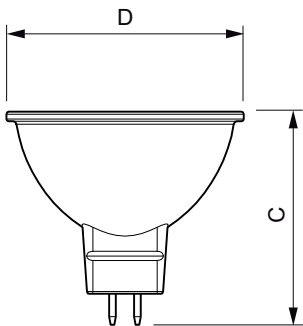
Application Conditions

| | |
|-------------------------------------|----|
| Can it be used in closed luminaires | No |
|-------------------------------------|----|

Product Data

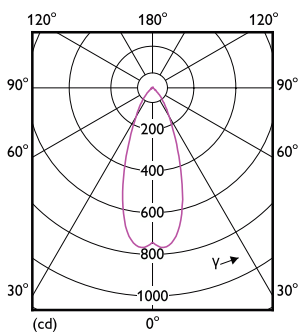
| | |
|-----------------------------------|--|
| Order product name | MAS LED spot VLE D 5.8-35W MR16 930 36D |
| Full product name | MASTER LED spot VLE D 5.8-35W MR16 930 36D |
| Full EOC | 871951430720900 |
| Order code | 30720900 |
| Material no. (12 NC) | 929002492602 |
| SAP numerator – quantity per pack | 1 |
| EAN/UPC – Product/Case | 8719514307209 |
| Numerator – packs per outer box | 10 |
| EAN/UPC - Case | 8719514307216 |

Dimensional drawing

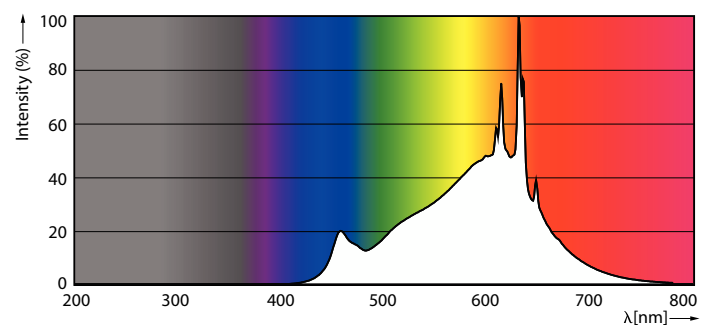


| Product | D | C |
|---|---------|---------|
| MAS LED spot VLE D 5.8-35W MR16 930 36D | 50.5 mm | 45.5 mm |

Photometric data



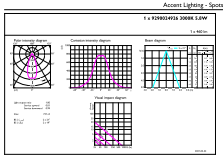
Light Distribution Diagram - MAS LED spot VLE D 5.8-35W MR16 930 36D



Spectral Power Distribution Colour - MAS LED spot VLE D 5.8-35W MR16 930 36D

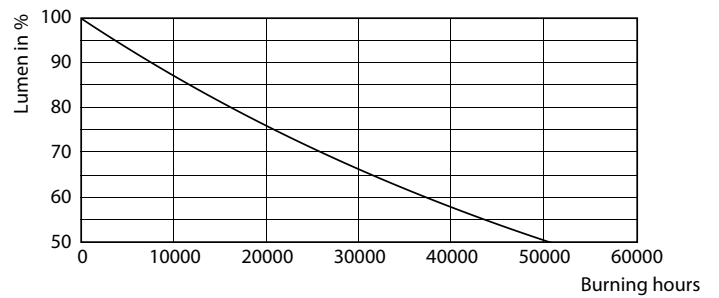
MASTER VALUE LEDspot LV

Photometric data



Accent Lighting Spots - MAS LED spot VLE D 5.8-35W MR16 930 36D

Lifetime



Life Expectancy Diagram - MAS LED spot VLE D 5.8-35W MR16 930 36D

Lumen Maintenance Diagram - MAS LED spot VLE D 5.8-35W MR16 930 36D

