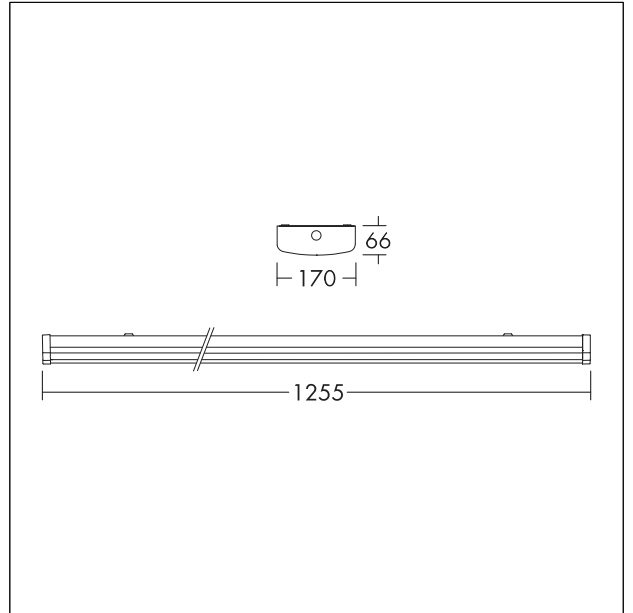


IP44 LED Diffuser luminaire

IP44 LED Diffuser luminaire with prismatic optic for indoor applications. Total luminous flux: 4200 lm. Luminaire input power: 29 W. CCT adjustable via switch for 3000K, 3500K or 4000K. Lifetime: 100.000hrs @L70. Chromaticity tolerance (initial MacAdam): 3. Lumen package adjustable on site by 3 steps (FLEX @ 4000K: Flex 1: 4200 lm (29W), Flex 2: 3150 lm (22W), Flex 3: 2100 lm (15W)) - For flex data on other colour temperatures please visit website. Dimensions: 1255 x 170 x 66 mm, weight: 2.25 kg.



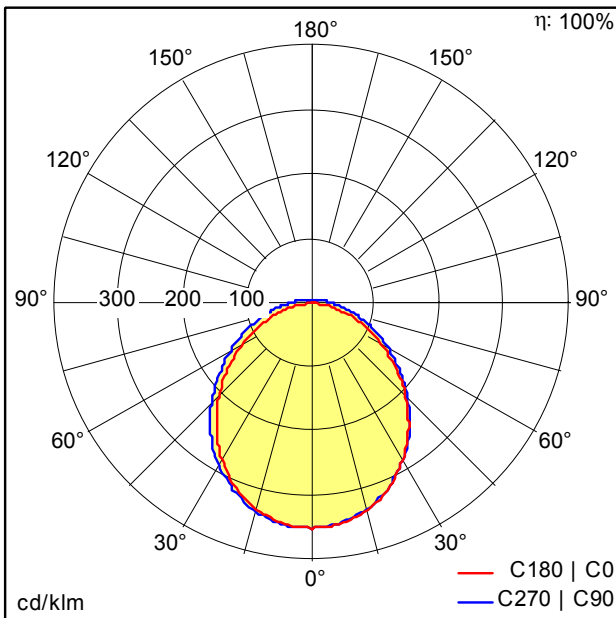
TE_FREJAVARIOFLEX_F_1200_Persp.jpg



TE_FREJAVARIOFLEX_M_M.wmf

Light Distribution

STD - standard



TE_FREJA_VARIOFLEX_1200_4200_840_FLEX1.idt

- Light Source: LED
- Luminaire luminous flux*: 4196 lm
- Luminaire efficacy*: 145 lm/W
- Colour Rendering Index min.: 80
- Correlated colour temperature*: 3000-4000 Kelvin
- Chromaticity tolerance (initial MacAdam): 3
- Rated median useful life*: L70 100000h at 25°C
- Ballast: 1x LED_Con
- Luminaire input power*: 29 W Power factor = 0.9
- Dimming: Fixed output
- Maintenance category: D - Enclosed IP2X
- Total harmonic distortion (THD): 20.00 %

All values marked with an * are rated values. Luminous flux and connected electrical load are subject to an initial tolerance of +/- 10%. Unless stated otherwise, the values apply to an ambient temperature of 25°C.